

Parts Book  
for Industrial Sewing Machines

**GARUDAN**<sup>®</sup>

Series:

GF-207-143 LM    GF-207-143 H

GF-229-443 LM    GF-229-443 H



ANITA B, s.r.o.

Hliníky 2068

680 01 Boskovice

Czech Republic

fax: +420 516452751

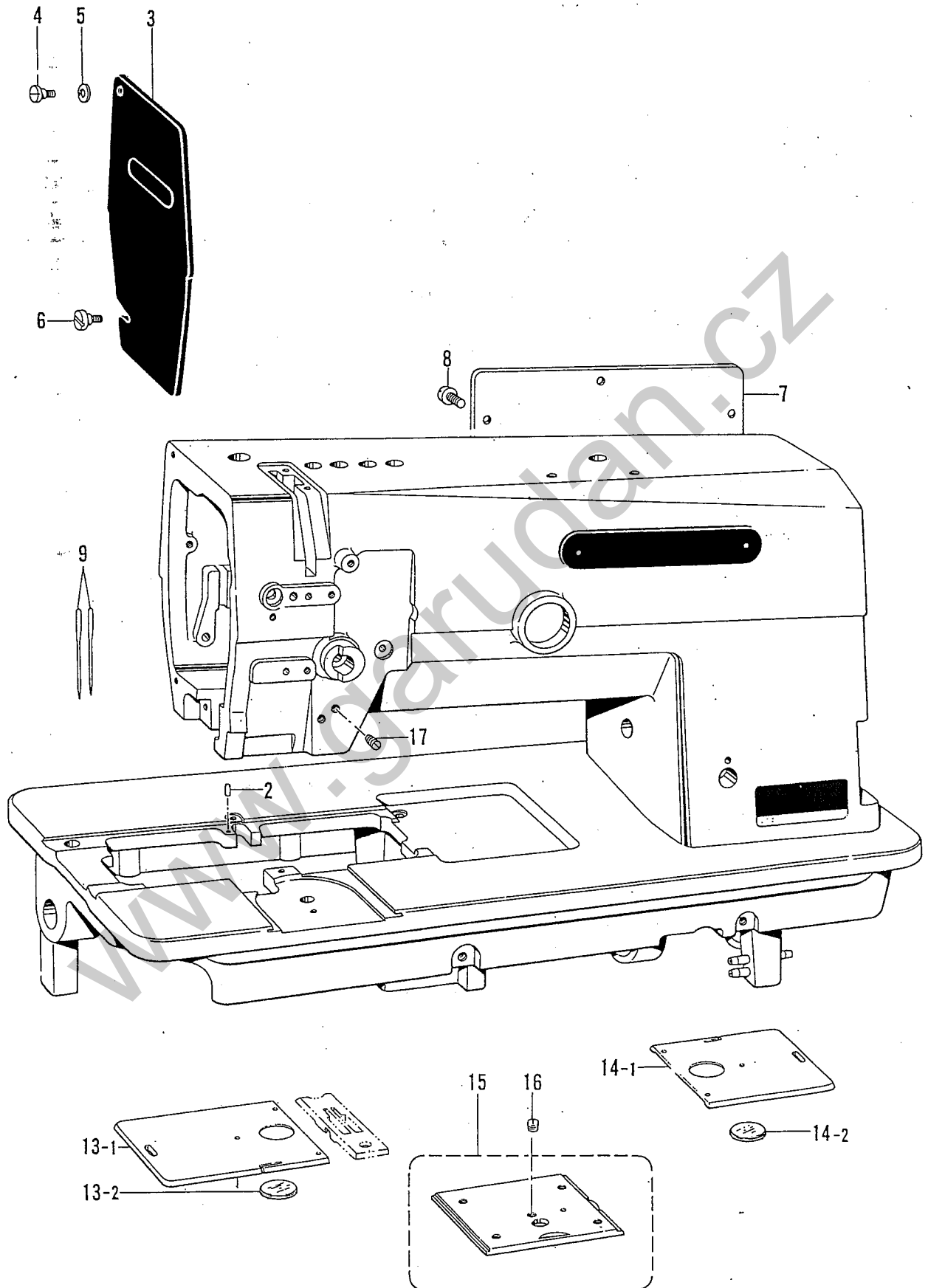
tel: 516454774, 516453496

e-mail: [info@anita.cz](mailto:info@anita.cz)

[www.garudan.cz](http://www.garudan.cz)

A. Machine body	2
B. Upper shaft mechanism	4
C. Needle bar rocking mechanism	4
D. Presser foot mechanism	6
E. Feed mechanism	8
F. Feed shaft mechanism	10
J. Lower shaft mechanism	10
K. Rotary hook mechanism	12
L. Lubrication	14
M. Threading mechanism	16
X. Gauge parts	18
Z. Accessories	20
GAUGE PARTS LIST /	21

A. Machine body

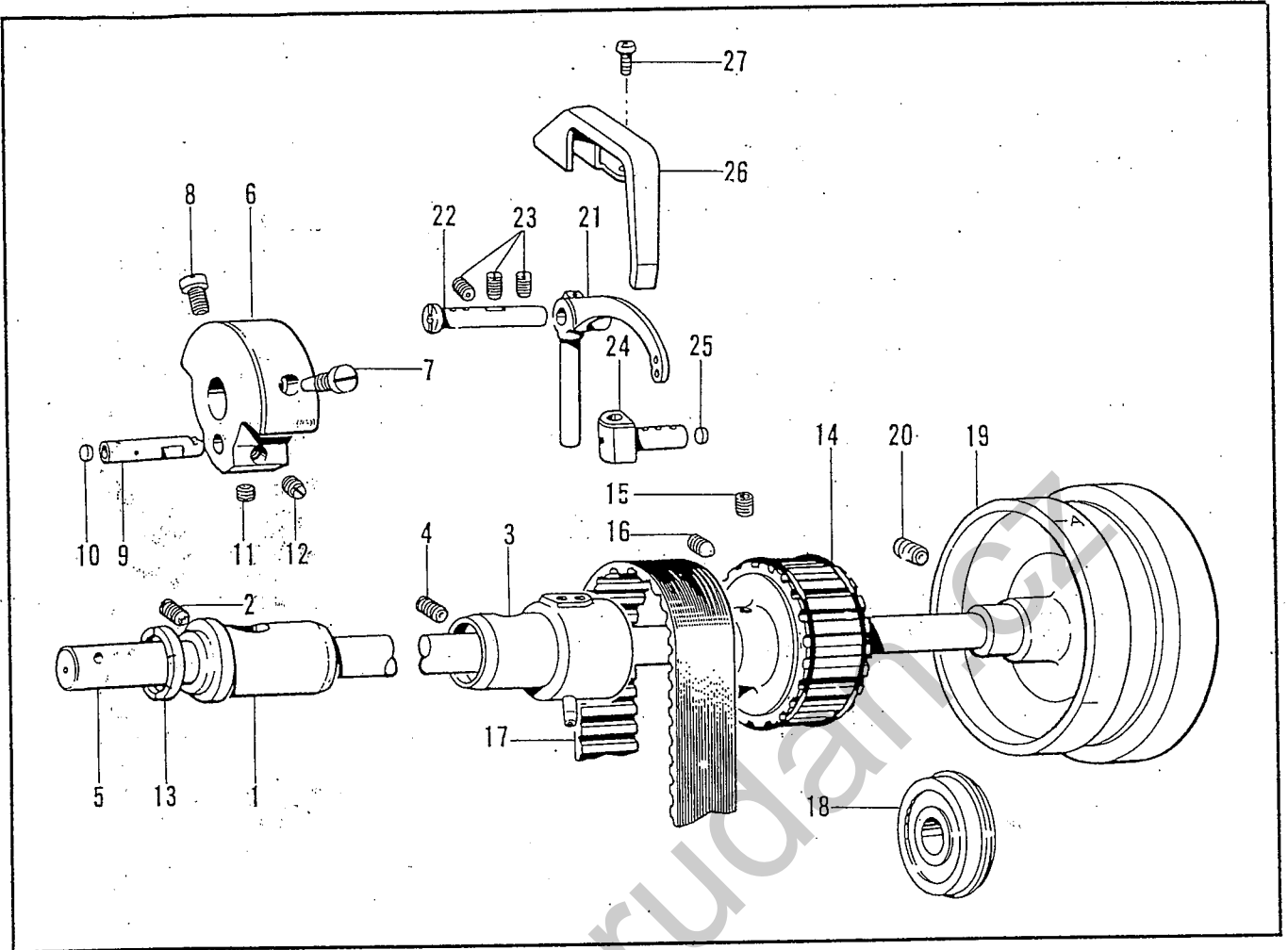


A. Machine body

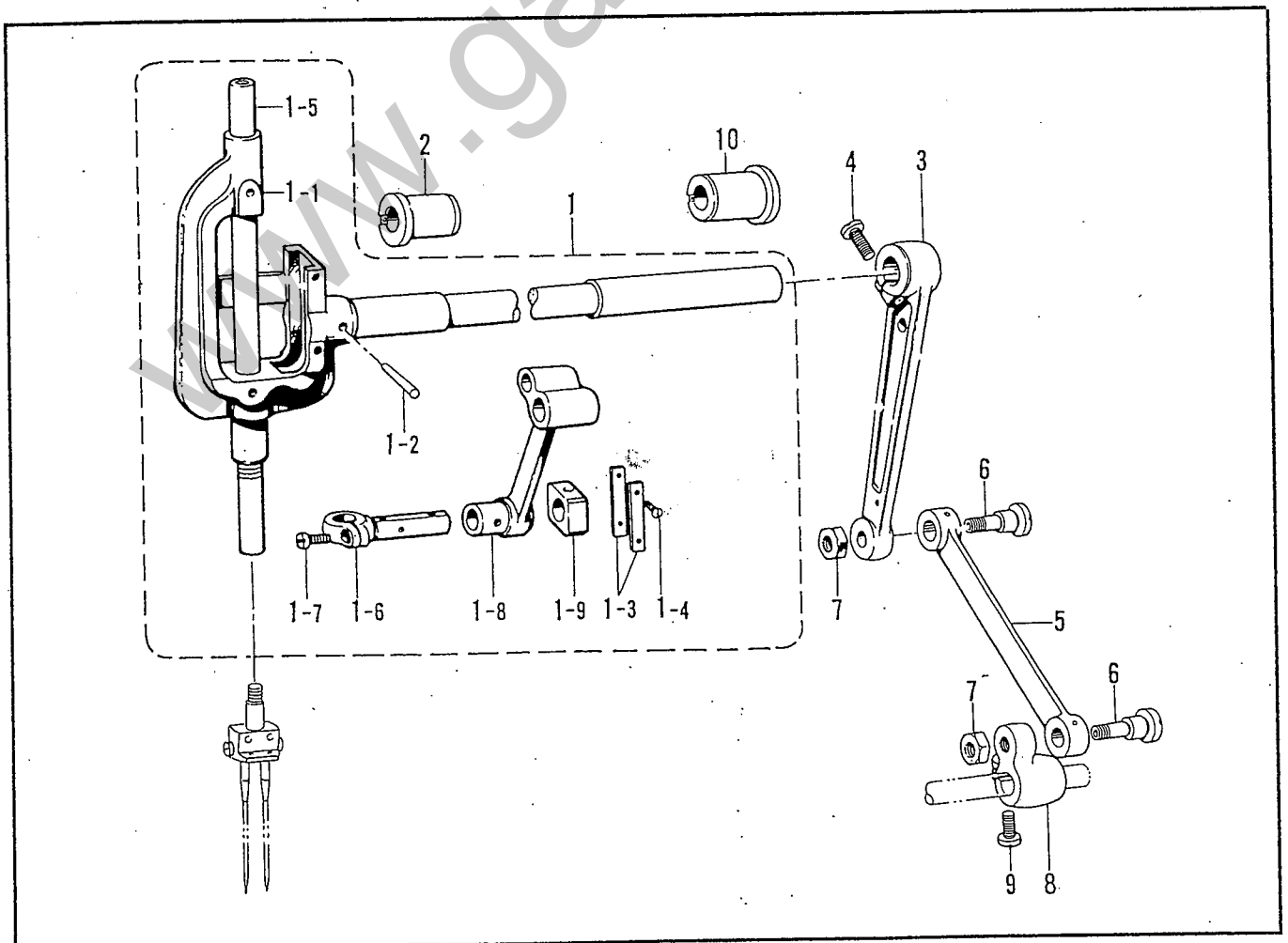
REF.NO	CODE	NAME OF PART	QTY
2	A42002-0000	PIN	1
3	A42003-0000	FACE PLATE	1
4	A42004-0000	STUD SCREW 3.57	1
5	A42005-0000	SPRING WASHER	1
6	A42006-0000	SCREW 3.57	1
7	A42007-0000	REAR COVER	1
8	A42008-0000	SCREW 4.37x8	7
-LM			
9		NEEDLE DPx5(#14)	2
-H			
9		NEEDLE DPx5(#19)	2
13-1	A42013-0100	SLIDE PLATE(L)	1
13-2	A42013-0200	BOBBIN WINDOW	1
14-1	A42014-0100	SLIDE PLATE(R)	1
14-2	A42014-0200	BOBBIN WINDOW	1
15	A42015-0000	SLIDE PLATE(F) ASSEMBLY	1
16	A42016-0000	SET SCREW 5.16	1
17	A42017-0000	SET SCREW 4.37	2

www.garudan.cz

B. Upper shaft mechanism.



C. Needle bar rocking mechanism.



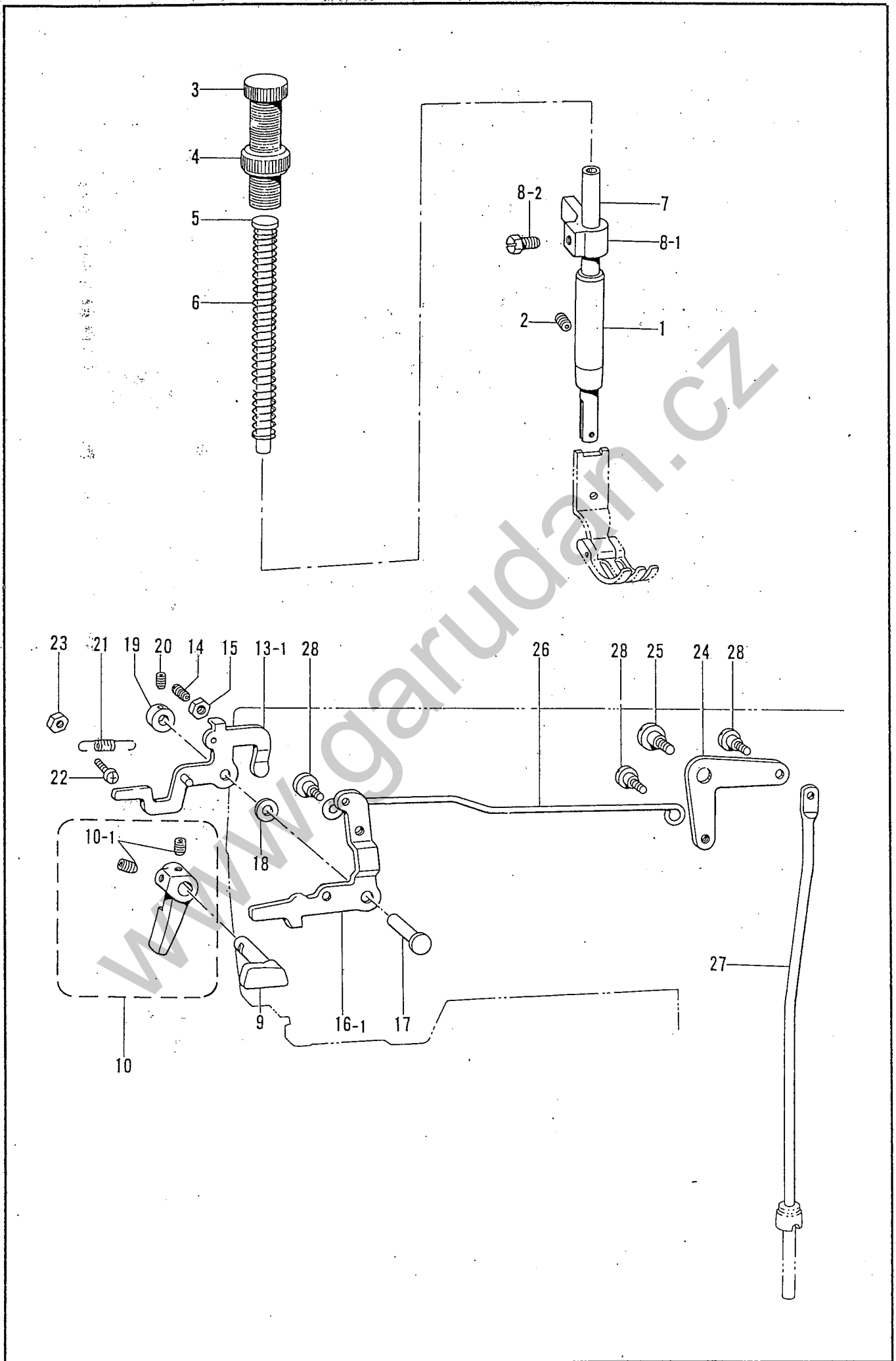
B. Upper shaft mechanism

REF.NO	CODE	NAME OF PART	Q'TY
1	B42001-0000	UPPER SHAFT BUDH (L)	1
2	B42002-0000	SET SCREW 6.35	1
3	B42003-0000	UPPER SHAFT BUSH (M)ASSEMBLY	1
4	B42004-0000	SET SCREW 6.35	1
5	B42005-0000	UPPER SHAFT	1
6	B42006-0000	THREAD TAKE-UP CRANK	1
7	B42007-0000	SCREW 7.14	1
8	B42008-0000	SET SCREW 7.14	1
9	B42009-0000	NEEDLE BAR CRANK	1
10	B42010-0000	PUSHER	1
11	B42011-0000	SET SCREW 6.35	1
12	B42012-0000	SET SCREW 6.35	1
13	B42013-0000	THREAD TAKE-UP CRANK RING	1
14	B42014-0000	TIMING BELT WHEEL(U)ASSEMBLY	1
15	B42015-0000	SET SCREW 6.35	1
16	B42016-0000	SET SCREW 6.35x10	1
17	B42017-0000	TIMING BELT	1
18	B42018-0000	BALL BEARING 6204ZZNR	1
19	B42019-0000	PULLEY	1
20	B42020-0000	SET SCREW 5.95x14	2
-207-			
21	B42021-0000	THREAD TAKE-UP	1
-229-			
21	B72021-0000	THREAD TAKE-UP	1
22	B42022-0000	THREAD TAKE-UP SHAFT	1
23	B42002-0000	SET SCREW 6.35	3
24	B42024-0000	THREAD TAKE-UP SLIDE BLOCK	1
25	B42025-0000	PUSHER	1
26	B42026-0000	THREAD TAKE-UP COVER	1
27	B42027-0000	SCREW 3.57x5	2

C. Needle bar rocking mechanism

REF.NO	CODE	NAME OF PART	Q'TY
1	C42001-0000	NEEDLE BAR ROCK SHAFT ASSEMBLY	1
1-1	C42001-0100	NEEDLE BAR SUPPORT	1
1-2	C42001-0200	TAPER PIN	1
1-3	C42001-0300	GUIDE PLATE	2
1-4	C42001-0400	SCREW 2.38	4
1-5	C42001-0500	NEEDLE BAR	1
1-6	C42001-0600	NEEDLE BAR CLAMP	1
1-7	C42001-0700	SCREW 3.57x8	1
1-8	C42001-0800	NEEDLE BAR CRANK ROD	1
1-9	C42001-0900	NEEDLE BAR GUIDE SLIDE BLOCK	1
2	C42002-0000	NEEDLE BAR ROCK SHAFT BUSH (L)	1
3	C42003-0000	NEEDLE BAR CONNECTING ROD	1
4	C42004-0000	SCREW 6.35	1
5	C42005-0000	NEEDLE BAR ROCK LINK	1
6	C42006-0000	NEEDLE BAR ROCK LNIK STUD	2
7	C42007-0000	NUT 7.94	2
8	C42008-0000	NEEDLE BAR CONNECTING CRANK	1
9	C42009-0000	SCREW 6.35x18	1
10	C42010-0000	NEEDLE BAR ROCK SHAFT BUSH (R)	1

D. Presser foot mechanism

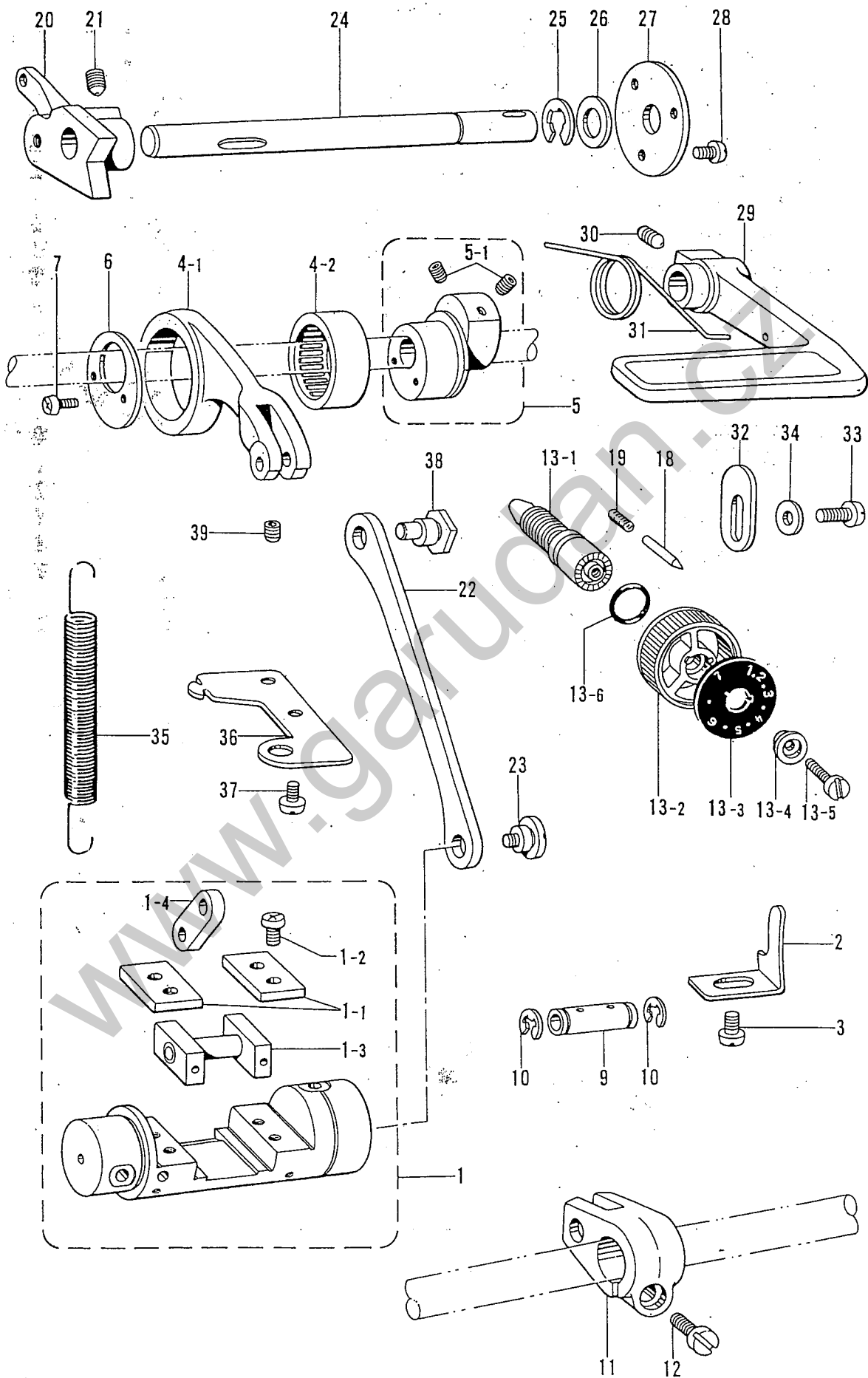




## D. Presser foot mechanism

REF.NO	CODE	NAME OF PART	Q'TY
1	D42001-0000	PRESSER BAR BUSH	1
2	B42002-0000	SET SCREW 6.35	1
3	D42003-0000	PRESSER ADJUSTING SCREW	1
4	D42004-0000	NUT	1
5	D42005-0000	PRESSER SPRING GUIDE	1
6	D42006-0000	PRESSER SPRING	1
7	D42007-0000	PRESSER BAR	1
8-1	D42008-0100	PRESSER BAR GUIDE CLAMP	1
8-2	D42008-0200	SCREW 5.95	1
9	D42009-0000	PRESSER BAR LIFTER CRANK	1
10	D42010-0000	PRESSER BAR LIFTER LEVER	1
10-1	D42010-0100	SET SCREW 4.76	2
13-1	D42013-0100	TENSION RELEASE PLATE ASSEMBLY	1
14	D42014-0000	SET SCREW 6.35	1
15	D42015-0000	NUT 6.35	1
16-1	D42016-0100	PRESSER LIFTER LEVER	1
17	D42017-0000	PRESSER LIFTER LEVER STUD	1
18	D42018-0000	WASHER	1
19	D42019-0000	SET COLLAR	1
20	A42017-0000	SET SCREW 4.37	2
21	D42021-0000	PRESSER LIFTER LEVER SPRING	1
22	D42022-0000	SCREW 3.57x14	1
23	D42023-0000	NUT 3.57	1
24	D42024-0000	KNEE LIFTER LEVER	1
25	D42025-0000	STUD SCREW 6.35	1
26	D42026-0000	KNEE LIFTER CONNECTOR	1
27	D42027-0000	KNEE LIFTER BAR	1
28	D42028-0000	STUD SCREW 4.76	3

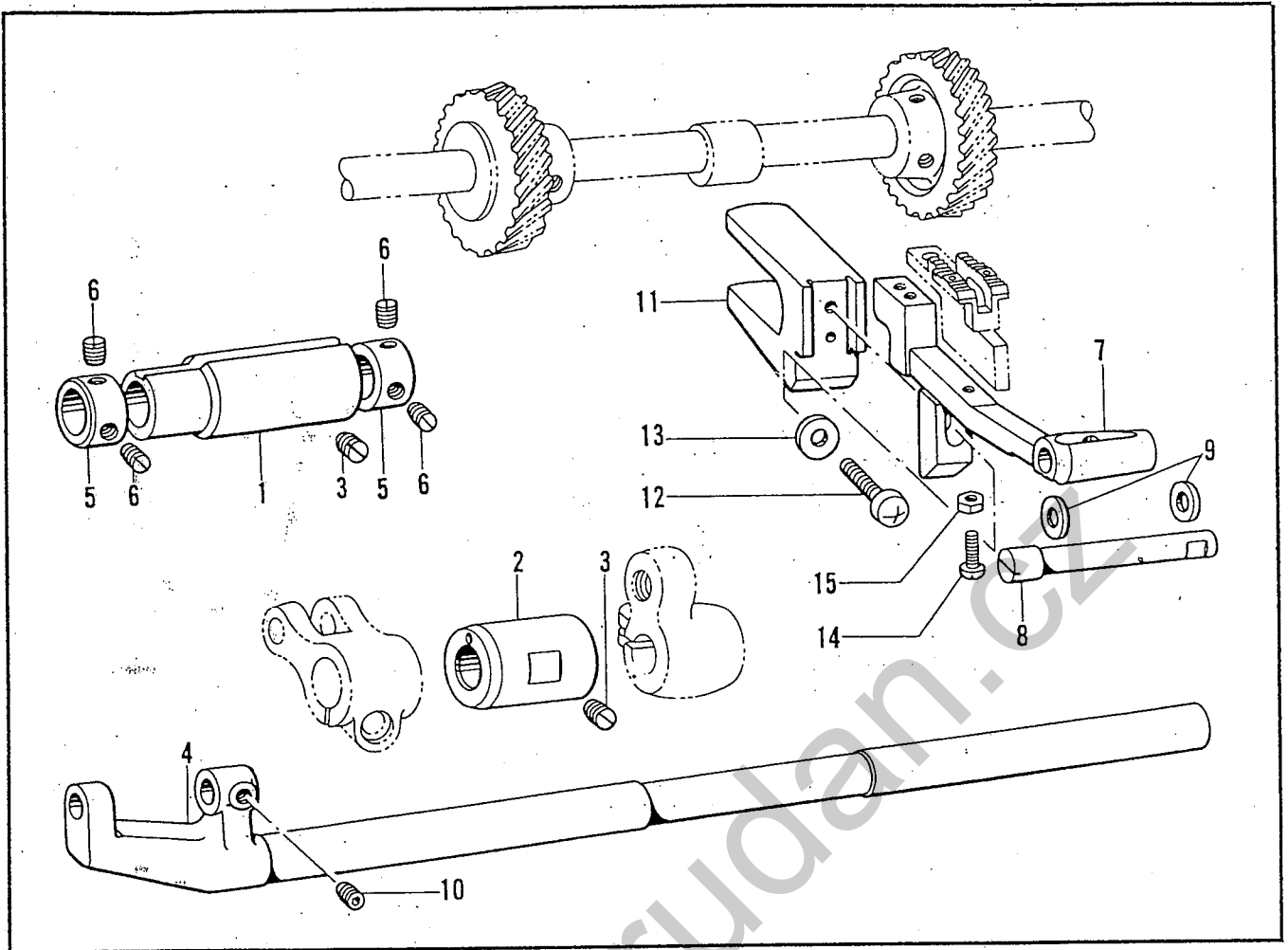
E. Feed mechanism



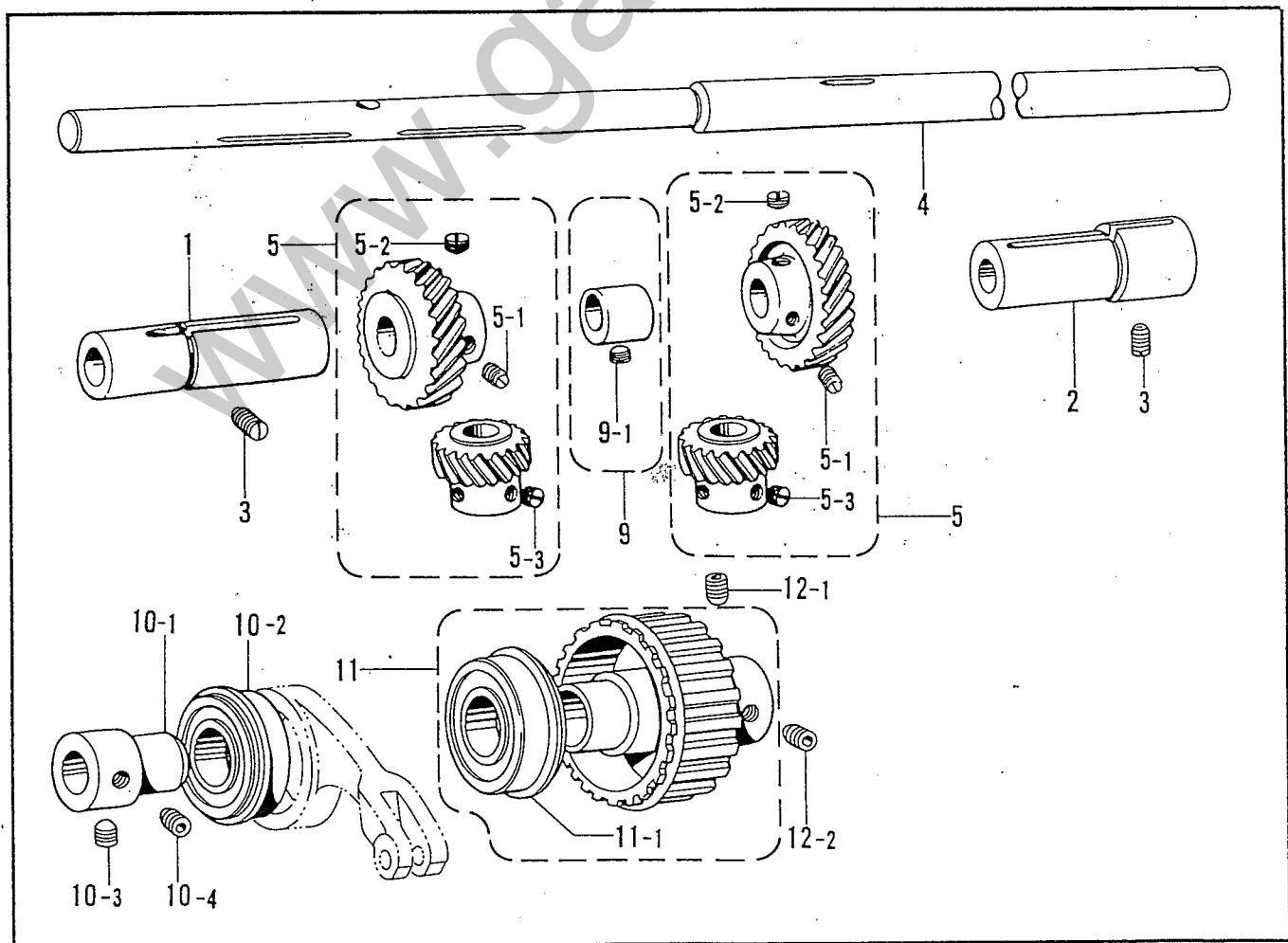
## E. Feed Mechanism

REF.NO	CODE	NAME OF PART	Q'TY
1	E42001-0000	FEED REGULATOR ASSEMBLY	1
1-1	E42001-0100	SLIDE BLOCK GUIDE PLATE	2
1-2	A42008-0000	SCREW 4.37x10	4
1-3	E42001-0300	FEED REGULATOR SLIDE BLOCK ASSEMBLY	1
1-4	E42001-0400	FEED ROCK ARM LINK	1
2	E42002-0000	FEED REGULATOR STOPPER	1
3	E42003-0000	SCREW 4.76x6	1
4-1	E42004-0100	FEED ROCK CONNECTING ROD	1
4-2	E42004-0200	NEEDLE BEARING	1
5	E42005-0000	LEVEL FEED ECCENTRIC WHEEL	1
5-1	B42005-0100	SET SCREW 6.35	2
6	E42006-0000	BEARING COVER	1
7	E42007-0000	SCREW 3.57x8	2
9	E42009-0000	FEED ROCKARM STUD	1
10	E42010-0000	STOP RING E6	2
11	E42011-0000	FEED ROCK ARM	1
12	C42009-0000	SCREW 6.35x18	1
13-1	E42013-0100	LENGTH REGULATING SCREW	1
13-2	E42013-0200	STITCH LENGTH CONTROL DIAL	1
13-3	E42013-0300	STITCH LENGTH CONTROL PLATE	1
13-4	E42013-0400	LENGTH CONTROL PLATE SUPPORTER	1
13-5	E42013-0500	SCREW 4.76	1
13-6	E42013-0600	O RING	1
18	E42018-0000	PIN	1
19	E42019-0000	SPRING	1
20	E42020-0000	FEED REGULATOR	1
21	E42021-0000	SET SCREW 5.95	2
22	E42022-0000	FEED REGULATOR CONNECT LINK	1
23	E42023-0000	STUD SCREW 5.95	1
25	E42025-0000	STOP RING E8	3
26	E42026-0000	PLAIN WASHER 10	1
27	E42027-0000	STOPPER WASHER	1
28	E42028-0000	SCREW 3.57x5	1
29	E42029-0000	REVERSE LEVER	1
31	E42031-0000	SPRING	1
32	E42032-0000	REVERSE LEVER STOPPER	1
33	A42008-0000	SCREW 4.76x10	2
34	E42034-0000	PLAIN WASHER 4.76	1
35	E42035-0000	FEED REGULATOR SPRING	1
36	E42036-0000	SPRING HOOK	
37	E42037-0000	SCREW 4.76x6	2
38	E42038-0000	FEED REGULATOR ECCENTRIC WHEEL SHAFT	1
39	E42039-0000	SET SCREW 4.76	1

F. Feed shaft mechanism



J. Lower shaft mechanism



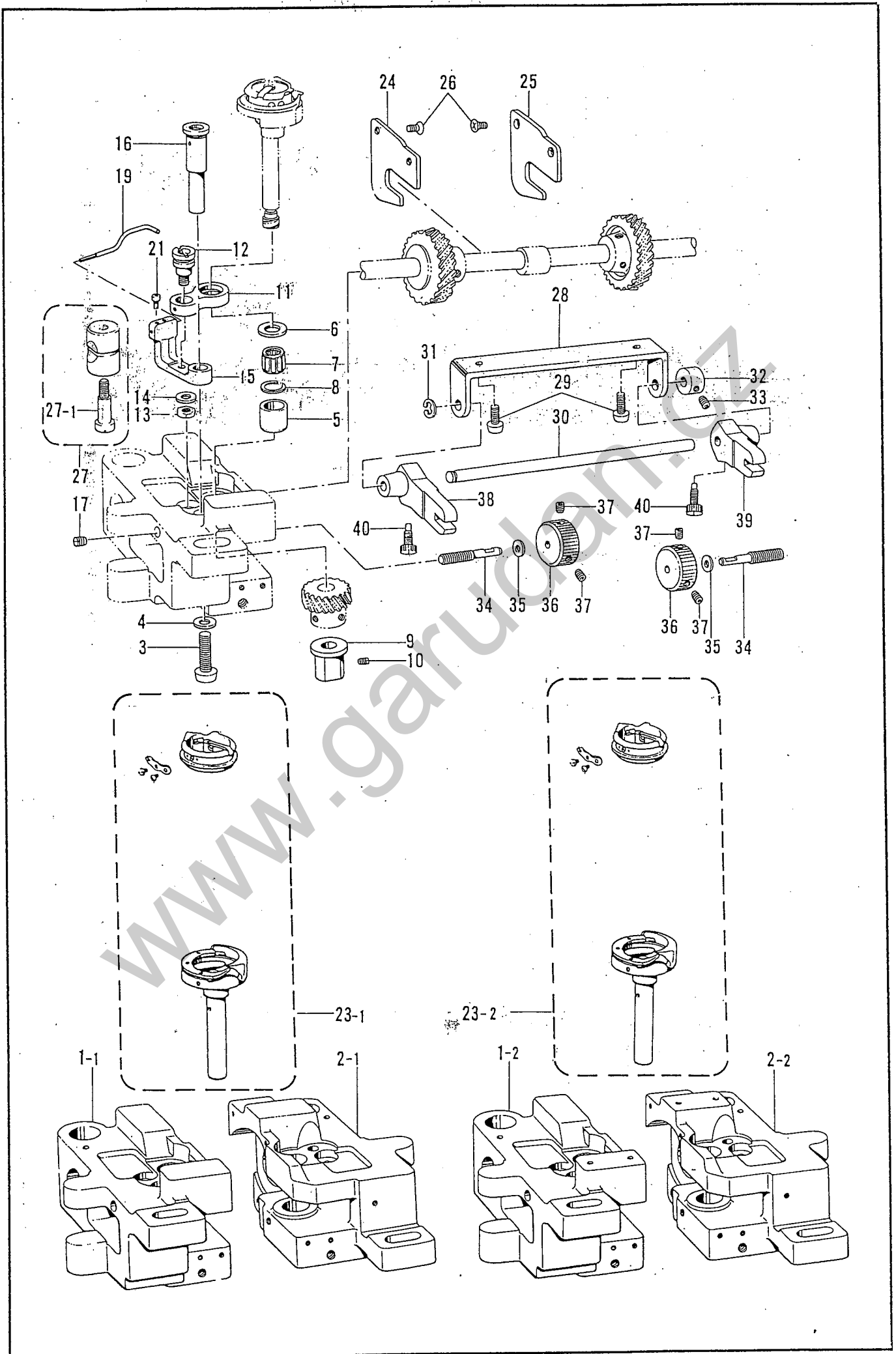
F. Feed shaft mechanism

REF.NO	CODE	NAME OF PART	Q'TY
1	F42001-0000	FEED SHAFT BUSH (L)	1
2	F42002-0000	FEED SHAFT BUSH (R)	1
3	B42002-0000	SET SCREW 6.35	2
4	F42004-0000	FEED ROCK SHAFT	1
5	F42005-0000	SET COLLAR	2
6	B42012-0000	SET SCREW 6.35	4
7	F42007-0000	FEED BAR	1
8	F42008-0000	FEED BAR SHAFT	1
9	F42009-0000	THRUST RING	2
10	A42017-0000	SET SCREW 4.37	1
11	F42011-0000	FEED BAR FORK	1
12	F42012-0000	SCREW 5.95x14	1
13	F42013-0000	PLAIN WASHER 6	1
14	F42014-0000	SCREW 3.18x12	1
15	F42015-0000	NUT 3.18	1

J. Quick reverse mechanism

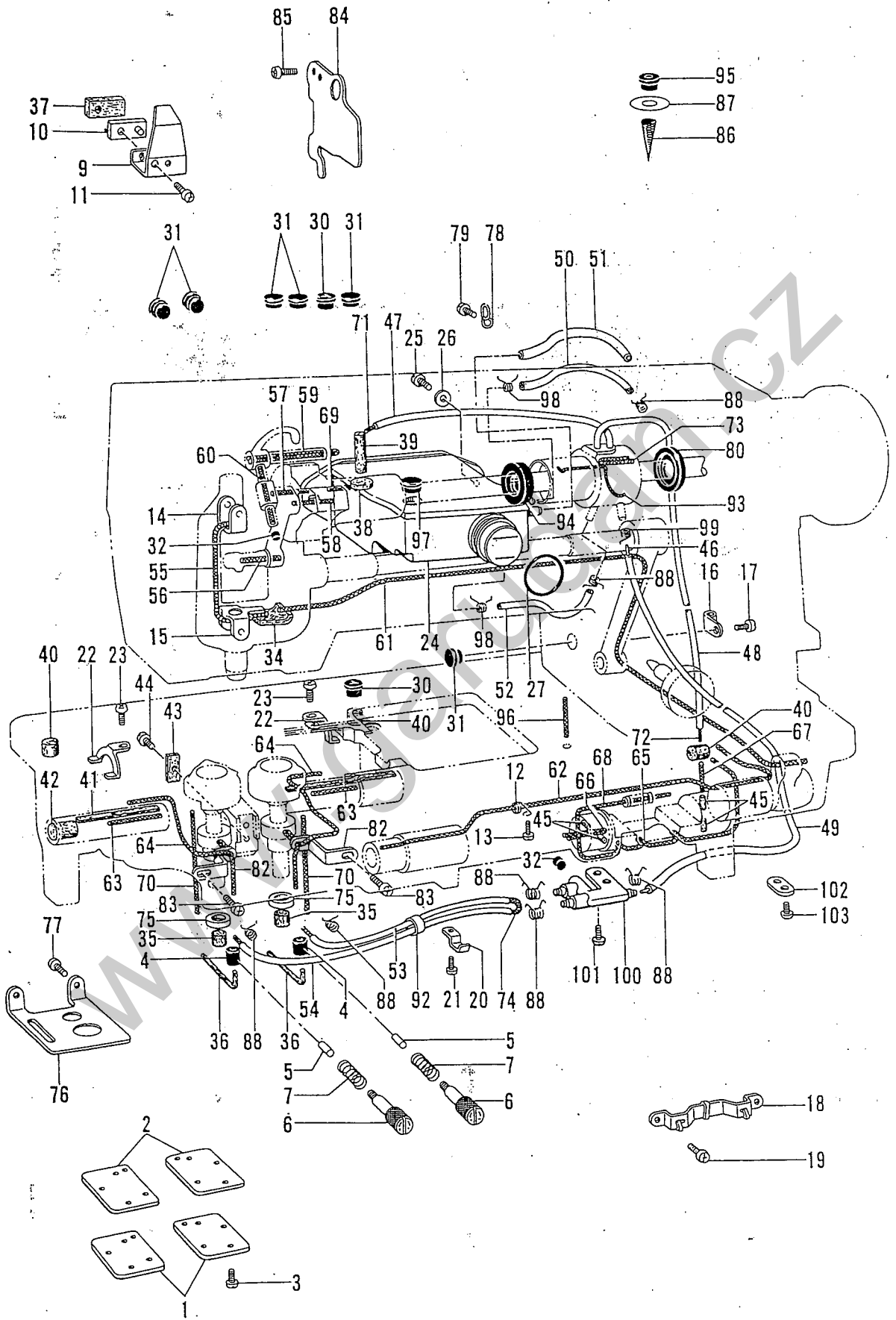
REF.NO	CODE	NAME OF PART	Q'TY
1	J42001-0000	ROTARY HOOK BASE BUSH(L)	1
2	J42002-0000	ROTARY HOOK BASE BUSH(R)	1
3	B42002-0000	SET SCREW 6.35	2
4	J42004-0000	LOWER SHAFT	1
5	J42005-0000	SPIRAL GEAR ASSEMBLY (A)	2
5-1	J42005-0100	SET SCREW 6.35	2
5-2	J42005-0200	SET SCREW 6.35	4
5-3	J42005-0300	SET SCREW 6.35	6
9	J42009-0000	VERTICAL FEED ECCENTRIC WHEEL ASSEMBLY	1
9-1	J42009-0100	SET SCREW 6.35	1
10-1	J42010-0100	BALL BEARING BUSH	1
10-2	J42010-0200	BALL BEARING 6004ZZNR	1
10-3	J42010-0300	SET SCREW 6.35	1
10-4	J42010-0400	SET SCREW 6.35	1
11	J42011-0000	TIMING PULLEY (D) ASSEMBLY	1
11-1	J42011-0100	BALL BEARING 6204ZZNR	1
12-1	J42012-0100	SET SCREW 6.35	1
12-2	J42012-0200	SET SCREW 6.35	1

K. Rotary hook mechanism



K. Rotary hook mechanism

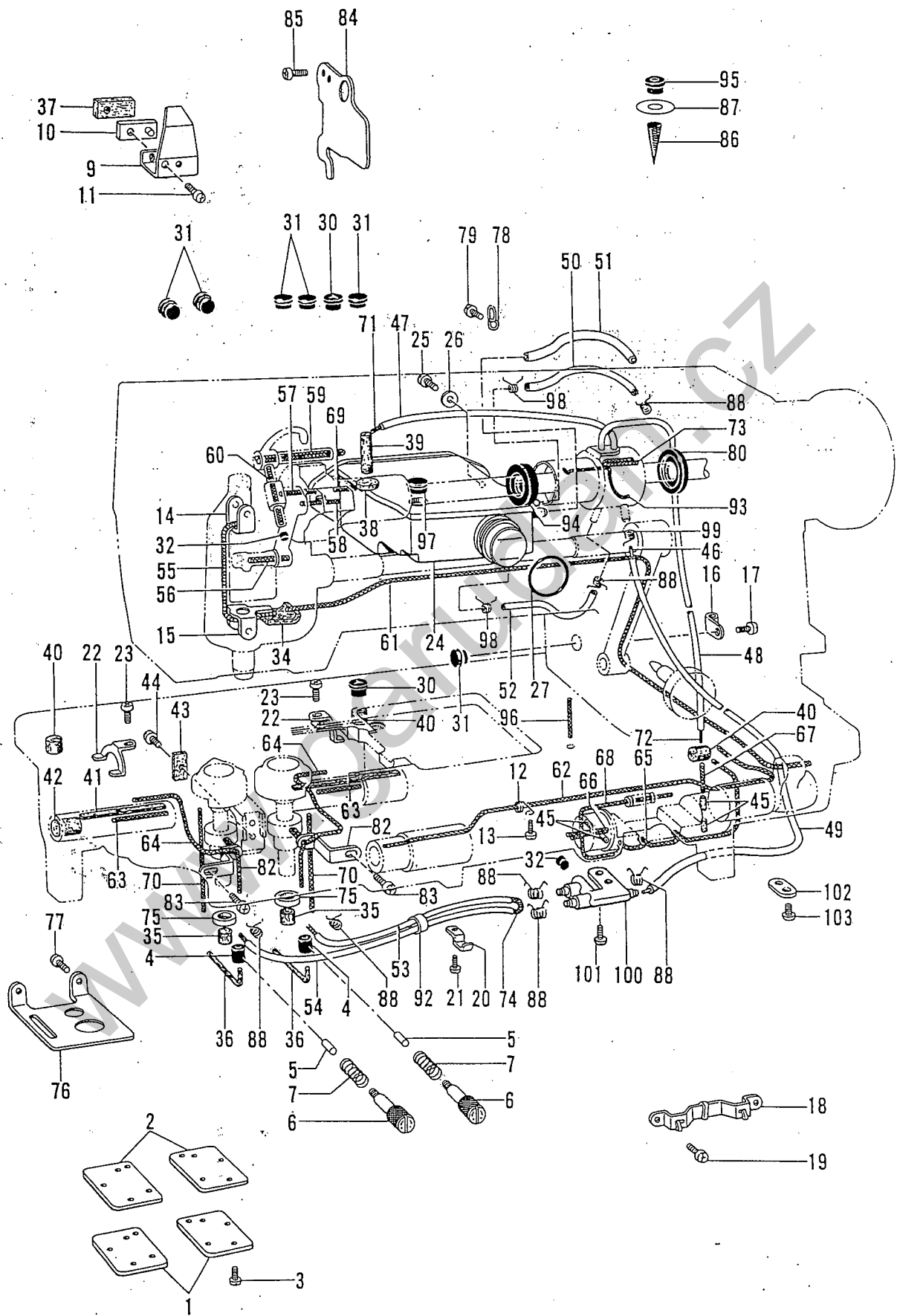
REF.NO	CODE	NAME OF PART	Q'TY
1-1	K42001-0100	ROTARY HOOK BASE (L)	1
2-1	K42002-0100	ROTARY HOOK BASE (R)	1
1-2	K72001-0200	ROTARY HOOK BASE (L)	1
2-2	K72002-0200	ROTARY HOOK BASE (R)	1
3	K42003-0000	SCREW 6.35x25	2
4	K42004-0000	WASHER	2
5	K42005-0000	ROTARY HOOK SHAFT BUSH (U)	2
6	K42006-0000	THRUST RING (A)1.7MM	2
5	K72005-0000	ROTARY HOOK SHAFT BUSH (U)	2
6	K72006-0000	THRUST RING (B)1.2MM	2
7	K42007-0000	NEEDLE BEARING	2
8	K42008-0000	STOP RING	2
9	K42009-0000	ROTARY HOOK SHAFT BUSH (D)	2
10	D42010-0100	SET SCREW 4.76	2
11	K42011-0000	OPENER LINK	2
12	K42012-0000	OPENER LINK SHAFT	2
13	K42013-0000	NUT 4.76	2
14	K42014-0000	PLAIN WASHER 4.76	2
15	K42015-0000	OPENER LEVER	2
15	K72015-0000	OPENER LEVER	2
16	K42016-0000	OPENER LEVER SHAFT	2
17	K42017-0000	SET SCREW 4.76	2
19	K42019-0000	OPENER	2
21	K42021-0000	SET SCREW 3.18	4
23-1	K42023-0100	ROTARY HOOK ASSEMBLY	2
23-2	K72023-0200	ROTARY HOOK ASSEMBLY	2
24	K42024-0000	GEAR GUIDE (L)	1
25	K42025-0000	GEAR GUIDE (R)	1
26	K42026-0000	SCREW 3.57	4
27	K42027-0000	PINCH SLEEVE ASSEMBLY	2
27-1	K42027-0100	SCREW 5.95	2
28	K42028-0000	ADJUSTING BAR SUPPORTER	1
29	A42008-0000	SCREW 4.76x10	2
30	K42030-0000	ADJUSTING BAR	1
31	K42031-0000	STOP PING E4	1
32	K42032-0000	SET COLLAR	1
33	A42017-0000	SET SCREW 4.37	1
34	K42034-0000	ROTARY HOOK BASE ADJUSTING SCREW	2
35	K42035-0000	PLAIN WASHER 4.37	2
36	K42036-0000	ROTARY HOOK BASE ADJUSTING DIAL	2
37	A42017-0000	SET SCREW 4.37	4
38	K42038-0000	ADJUSTING FORKED LEVER (L)	1
39	K42039-0000	ADJUSTING FORKED LEVER (R)	1
40	K42040-0000	NEEDLE SET SCREW 3.57	2





## L Lubrication

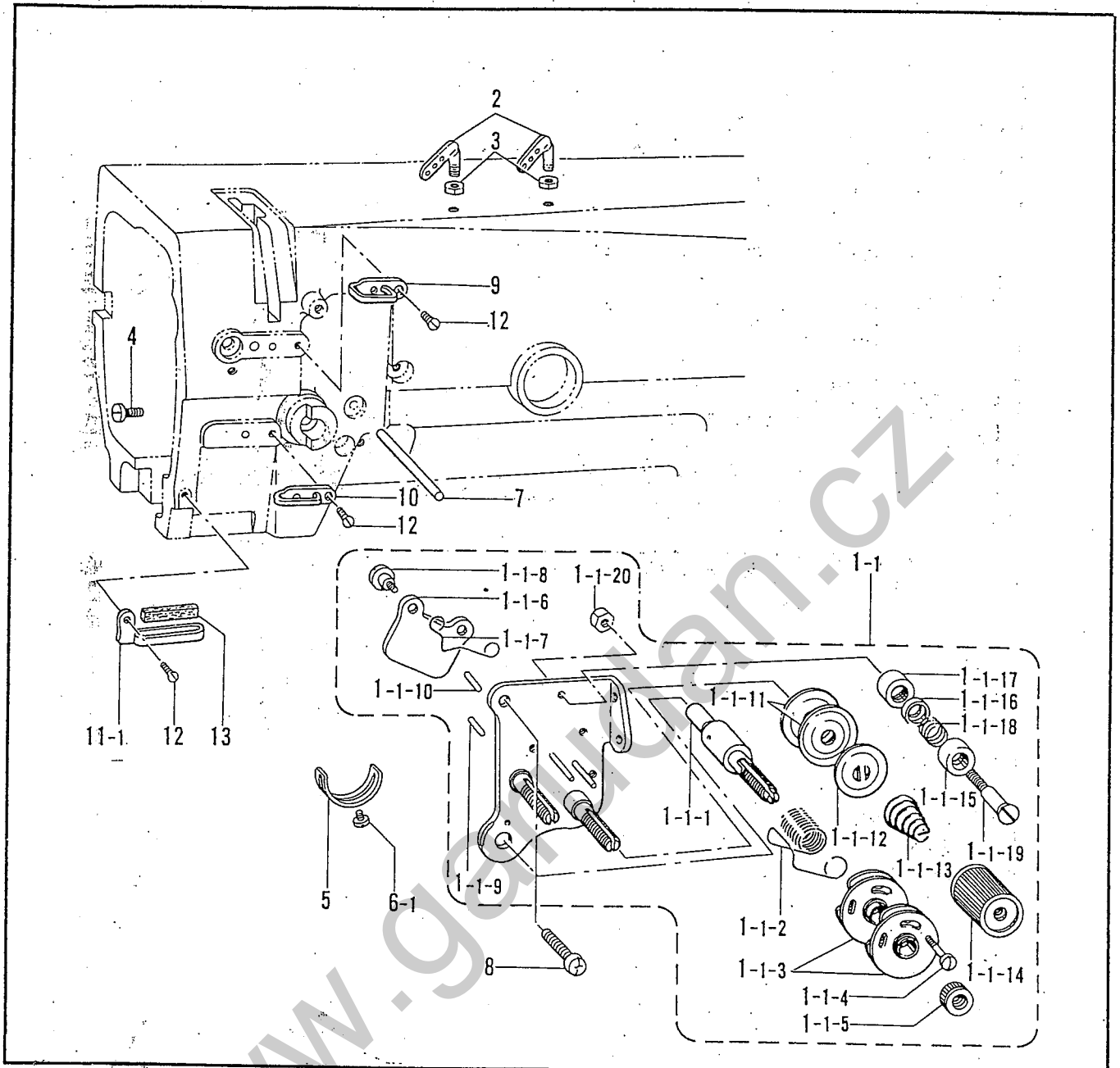
REF.NO	CODE	NAME OF PART	Q'TY
1	L42001-0000	ROTARY HOOK BASE COVER	2
2	L42002-0000	ROTARY HOOK BASE PACKING	2
3	E42007-0000	SCREW 3.57x8	8
4	L42004-0000	RUBBER RING	2
5	L42005-0000	RUBBER PRESSER	2
6	L42006-0000	OIL ADJUSTING SCREW	2
7	L42007-0000	SET SPRING	2
9	L42009-0000	OIL STOPPER PLATE	1
10	L42010-0000	OIL STOPPER PLATE PRESSER	1
11	L42011-0000	SCREW 4.76x12	1
12	L42012-0000	WICK SUPPORTER	1
13	L42013-0000	SCREW 3.57x5	1
14	L42014-0000	FELT HOLDER (U)	1
15	L42015-0000	FELT HOLDER (D)	1
16	L42016-0000	WICK SUPPORTER	1
17	L42017-0000	SCREW 3.57x5	1
18	L42018-0000	WICK HOLDER	1
19	L42019-0000	SCREW 3.18x4	2
20	L42020-0000	CORD HOLER (L)	1
21	E42007-0000	SCREW 3.57x5	1
22	L42022-0000	WICK HOLDER	2
23	E42007-0000	SCREW 3.57x5	2
24	L42024-0000	OIL TANK ASSEMBLY	1
25	A42008-0000	SCREW 4.76x10	2
26	L42026-0000	PLAIN WASHER 4.76	2
27	L42027-0000	O RING P30	1
30	L42030-0000	OIL CAP	2
31	L42031-0000	OIL CAP	5
32	L42032-0000	OIL CAP	2
34	L42034-0000	FELT	1
35	L42035-0000	CLUTCH FELT	2
36	L42036-0000	FELT	2
37	L42037-0000	FELT	1
38	L42038-0000	UPPER SHAFT BUSH(L)FELT	1
39	L42039-0000	FELT	1
40	L42040-0000	FELT	3
41	L42041-0000	ROTARY HOOK BASE BUSH(R)FELT	2
42	L42042-0000	FELT	1
43	L42043-0000	FELT	1
44	L42044-0000	SCREW 3.57	1
45	L42045-0000	FELT	4
46	L42046-0000	WIRE	1
47	L42047-0000	OIL TUBE	1
48	L42048-0000	OIL TUBE	1
49	L42049-0000	OIL TUBE	1
52	L42052-0000	OIL TUBE	1
53	L42053-0000	OIL TUBE	1
54	L42054-0000	OIL TUBE	1
55	L42055-0000	WICK (20CM)	1
56	L42056-0000	WICK (5CM)	1
57	L42057-0000	WICK (3CM)	1
58	L42058-0000	WICK (4.5CM)	1
59	L42059-0000	WICK (13CM)	1
60	L42060-0000	WICK 4x4 (4CM)	1
61	L42061-0000	WICK (44CM)	1
62	L42062-0000	WICK 4x4 (35CM)	1
63	L42063-0000	WICK (3.2CM)	2
64	L42064-0000	WICK (25CM)	2



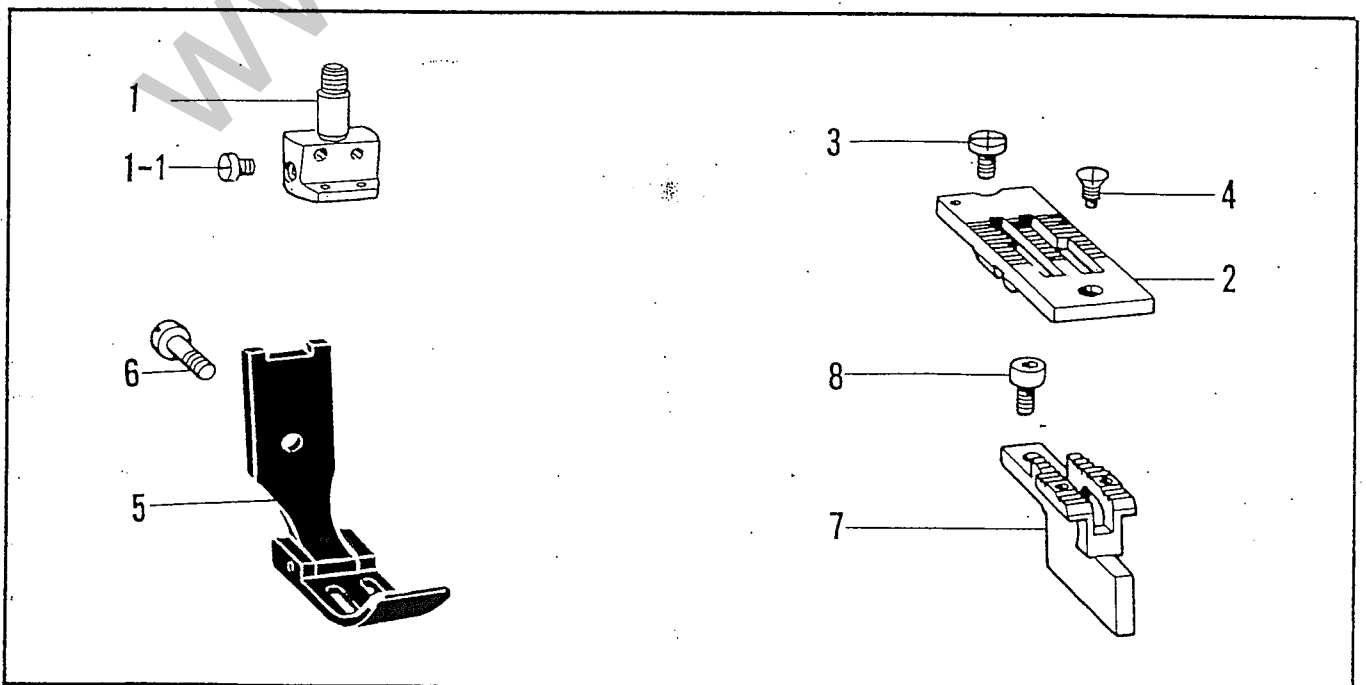
Lubrication

REF.NO	CODE	NAME OF PART	Q'TY
65	L42065-0000	WICK 4x4 (25cm)	1
66	L42066-0000	WICK 4x4 (4CM)	1
67	L42067-0000	WICK (3.5CM)	1
68	L42068-0000	WICK (11CM)	1
69	L42069-0000	WICK (2.5CM)	1
70	L42070-0000	WICK (7CM)	1
71	L42071-0000	WICK 4x4 (30CM)	1
72	L42072-0000	WICK 4x4 (35CM)	1
73	L42073-0000	WICK 4x4 (4CM)	1
74	L42074-0000	WICK (53CM)	1
76	L42076-0000	DUST PROTECTOR	1
77	E42007-0000	SCREW 3.57x5	2
78	L42078-0000	TUBE HOLDER	1
79	A42008-0000	SCREW 4.37x8	1
82	L42082-0000	WICK HOLDER	2
83	E42007-0000	SCREW 3.57x5	2
84	L42084-0000	INTERRUPT PLATE	1
85	B42027-0000	SCREW 3.57x5	2
86	L42086-0000	OIL FILTER	1
87	L42087-0000	OIL SEAT	1
88	L42088-0000	TUBE CLAMP	7
92	L42092-0000	OIL TUBE	1
93	L42093-0000	WICK (7CM)	1
94	L42094-0000	OIL SEAL	1
95	L42095-0000	OIL CAP	1
96	L42096-0000	WICK (3.5CM)	1
97	L42097-0000	OIL CAP	1
98	L42098-0000	TUBE CLAMP	2
99	L42099-0000	TUBE CLAMP	1
100	L42100-0000	TERMINAL	1
101	L42101-0000	SCREW 3.57x6	2
102	L42102-0000	FEED ADJUSTUNG SHAFT SUPPORTER	1
103	L42103-0000	SCREW 3.57x6	1

M. Threading mechanism



X. Gauge parts



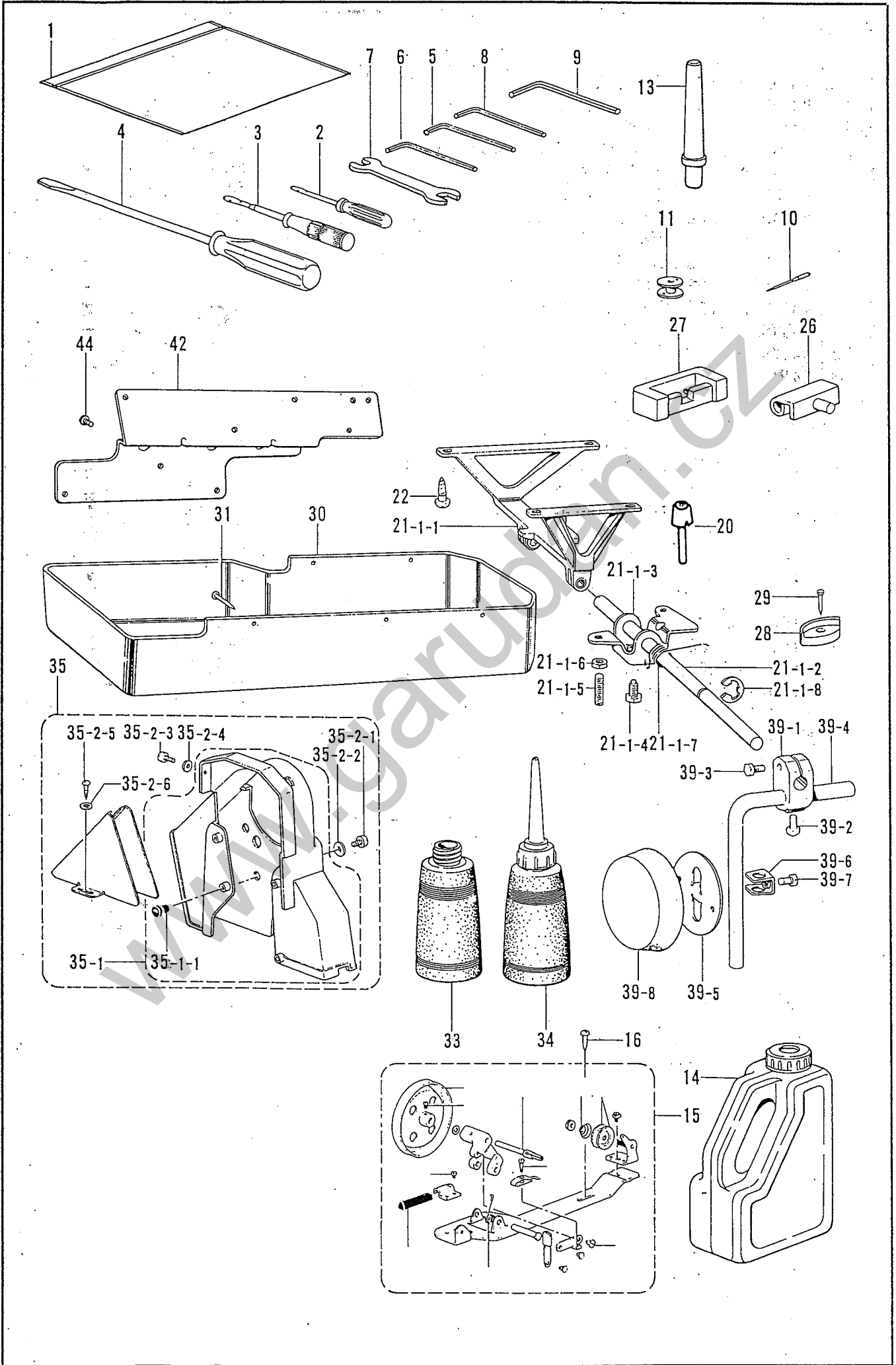
M. Threading machine

REF.NO	CODE	NAME OF PART	Q'TY
1-1	M42001-0100	NEEDLE THRAD THNSION ASSEMBLY	1
1-1-1	M42001-0101	TENSION STUD	1
1-1-2	M42001-0102	THREAD TAKE-UP SPRING	1
1-1-3	M42001-0103	SPRING GUIDE ASSEMBLY	2
1-1-4	M42001-0104	SCREW 2.38	1
1-1-5	M42001-0105	TENSION NUT	1
1-1-6	M42001-0106	TENSION RELEASE PLATE	1
1-1-7	M42001-0107	TENSION RELEASE SPRING	1
1-1-8	M42001-0108	STUD SCREW 3.57	2
1-1-9	M42001-0109	TENSION RELEASE PIN (R)	1
1-1-10	M42001-0110	TENSION RELEASE PIN (L)	1
1-1-11	M42001-0111	TENSION DISC	4
1-1-12	M42001-0112	TENSION DISC PRESSER	2
1-1-13	M42001-0113	TENSION SPRING	2
1-1-14	M42001-0114	TENSION NUT	2
1-1-15	M42001-0115	THREAD GUIDE CAP	2
1-1-16	M42001-0116	THREAD GUIDE DISC	2
1-1-17	M42001-0117	THREAD GUIDE BRACKET	2
1-1-18	M42001-0118	THREAD GUIDE SPRING	2
1-1-19	M42001-0119	THREAD GUIDE STUD SCREW	2
1-1-20	D42023-0000	NUT 3.57	2
2	M42002-0000	THREAD RETAINER	2
3	M42003-0000	NUT 5.95	2
4	M42004-0000	SCREW 3.57	2
5	M42005-0000	STOPPER	2
6	M42006-0000	SCREW 357x5	2
7	M42007-0000	TENSION RELEASE BAR	2
8	A42008-0000	SCREW 4.37x8	2
9	M42009-0000	ARM THREAD GUIDE (U)	2
10	M42010-0000	ARM THREAD GUIDE (M)	2
11-1	M42011-0100	ARM THREAD GUIDE (D)	1
12	M42012-0000	SCREW 3.57	3
13	M42013-0000	FELT	1

X. Gauge parts

REF.NO	CODE	NAME OF PART	Q'TY
1	*	NEEDLE CLAMP ASSEMBLY	1
1-1	X42001-0100	SCREW 3.57	2
2	*	NEEDLE PLATE ASSEMBLY	1
3	X42003-0000	SCREW 4.37	1
4	X42004-0000	SCREW 4.37	1
5	*	PREESES FOOT ASSEMBLY	1
6	X42006-0000	SCREW 3.57	1
7	*	FEED DOG	1
8	X42008-0000	SCREW 3.18	2

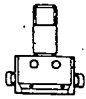


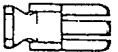
©If there is a \* mark refer to the gauge assembly guide on page 21.



Z Accessory zubessories

REF.NO	CODE	NAME OF PART	Q'TY
1	Z42001-0000	ACCESSORY BAG	
2	Z42002-0000	SCREW DRIVER 1.9x52	1
3	Z42003-0000	SCREW DRIVER 3.4x70	1
4	Z42004-0000	SCREW DRIVER 4.7x250	1
5	Z42005-0000	HEXAGONAL WRENCH 2.0	1
6	Z42006-0000	HEXAGONAL WRENCH 2.5	1
7	Z42007-0000	SPANNER 10x12	1
8	Z42008-0000	HEXAGONAL WRENCH 3.0	1
9	Z42009-0000	HEXAGONAL WRENCH 5.0	1
-LM			
10		NEEDLE DPx5 (#14)	5
-H.			
10		NEEDLE DPx5 (#19)	5
11	Z42011-0000	BOBBIN	4
13	Z42013-0000	HEAD REST	1
14	Z42014-0000	OIL TANK	1
15	Z42015-0000	BOBBIN WINDER ASSEMBLY	1
16	Z42016-0000	SCREW 5.5x20	2
20	Z42020-0000	KNEE LIFTER COMPLYING BAR	1
21-1-1	Z42021-0101	KNEE LIFTER BRACKET	1
21-1-2	Z42021-0102	KNEE LIFTER SHAFT	1
21-1-3	Z42021-0103	KNEE LIFTER	1
21-1-4	Z42021-0104	BOLT 5.95	1
21-1-5	Z42021-0105	SET SCREW 5.95	2
21-1-6	Z42021-0106	NUT 5.95	2
21-1-7	Z42021-0107	TWIST SPRING	1
21-1-8	Z42021-0107	STOP RING E10	1
22	Z42022-0000	SCREW 5.5x20	4
26	Z42026-0000	HEAD HINGE	2
27	Z42027-0000	RUBBER CUSHION	2
28	Z42028-0000	HEAD CUSHION	4
29	Z42029-0000	NAIL	8
30	Z42030-0000	OIL PAN	1
31	Z42031-0000	NAIL	5
33	Z42033-0000	OILER	1
34	Z42034-0000	OILER ASSEMBLY	1
35	Z42035-0000	BELT COVER ASSEMBLY	1
35-1	Z42035-0100	BELT COVER COLLAR ASSEMBLY	1
35-1-1	Z42035-0101	RUBBER COLLAR	4
35-2-1	Z42035-0201	SCREW 4.76x20	4
35-2-2	Z42035-0202	PLAIN WASHER 5	4
35-2-3	E42003-0000	SCREW 4.37x8	1
35-2-4	Z42035-0204	PLAIN WASHER 4.37	1
35-2-5	Z42035-0205	SCREW 5.5x20	2
35-2-6	Z42035-0206	PLAIN WASHER 5.56	2
39-1	Z42039-0100	KNEE LIFTER JOINT	1
39-2	Z42039-0200	BOLT 7.94	1
39-3	Z42039-0300	BOLT 5.95x20	1
39-4	Z42039-0400	KNEE LIFTER BAR	1
39-5	Z42039-0500	KNEE LIFTER PLATE	1
39-6	Z42039-0600	KNEE LIFTER PLATE STOPPER	1
39-7	Z42039-0700	BOLT 5.95	1
39-8	Z42039-0800	KNEE LIFTER PLATE COVER	1

GAUGE PARTS LIST

Needle Gauge	Sub-class	X - 1	X - 2	X - 7	X - 5
		Needle Clamp Assembly 	Needle plate Assembly 	Feed Dog 	Presser Foot Assembly 
1/8" (3.2mm)	-LM	4210108-00	4220108-00	4230108-M	4240108-00
	-H			4230108-H	
5/32" (4.0mm)	-LM	4210532-00	4220532-00	4230532-M	4240532-00
	-H			4230332-H	
3/6" (4.8mm)	-LM	4210316-00	4220316-00	4230316-M	4240316-00
	-H			4230316-H	
1/4" (6.4mm)	-LM	4210104-00	4220104-00	4230104-M	4240104-00
	-H			4230104-H	
5/16" (7.9mm)	-LM	4210516-00	4220516-00	4230516-M	4240516-00
	-H			4230516-H	
3/8" (9.5mm)	-LM	4210308-00	4220308-00	4230308-M	4240308-00
	-H			4230308-H	
1/2" (12.7mm)	-LM	4210102-00	4220102-00	4230102-M	4240102-00
	-H 5			4230102-H	
5/8" (15.9mm)	-LM	4210508-00	4220508-00	4230508-M	4240508-00
	-H			4230508-H	
1-3/8" (34.9mm)	-LM	4211108-00	4221108-00	4231108-M	4241108-00
	-H 5			4231108-H	